



## COMPACT CARTRIDGE MOUNTED METAL BELLOWS SEAL



### Face Material

210SXC: CARBON vs SiC

210SXS: SiC vs SiC

### Performance Capabilities

Pressure: Vacuum to 2 MPa (20kgf/cm<sup>2</sup>G, 285 psi)

Temperature: -30°C to 200°C (-20°F to 400°F)

Shaft Speed: to 25 m/s

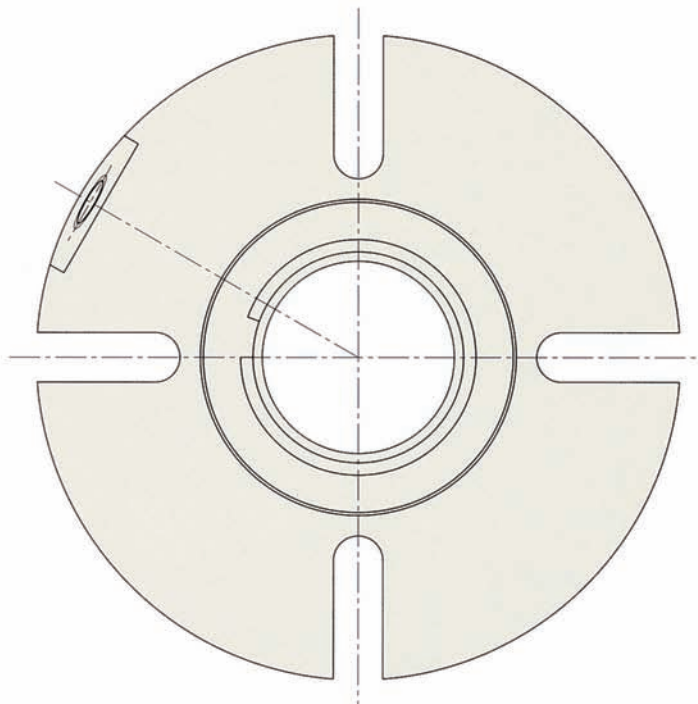
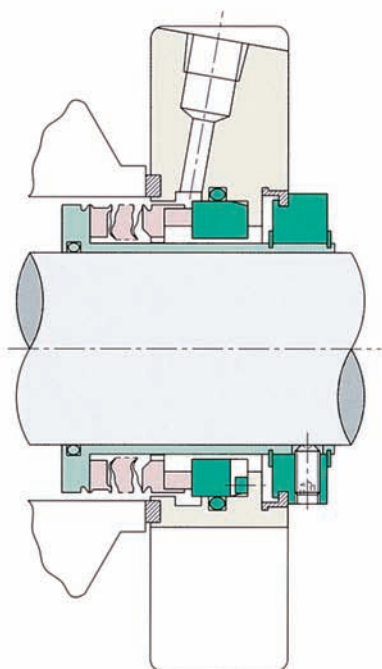
Viscosity: to 1 Pa•s (1000cP)

The 210 compact cartridge seal incorporates a highly reliable, edge welded metal bellows flexible element, of a design that has been field proven over more than 20 years. The bellows seals construction provides significant benefits leading to exceptional sealing performance and extended seal life.

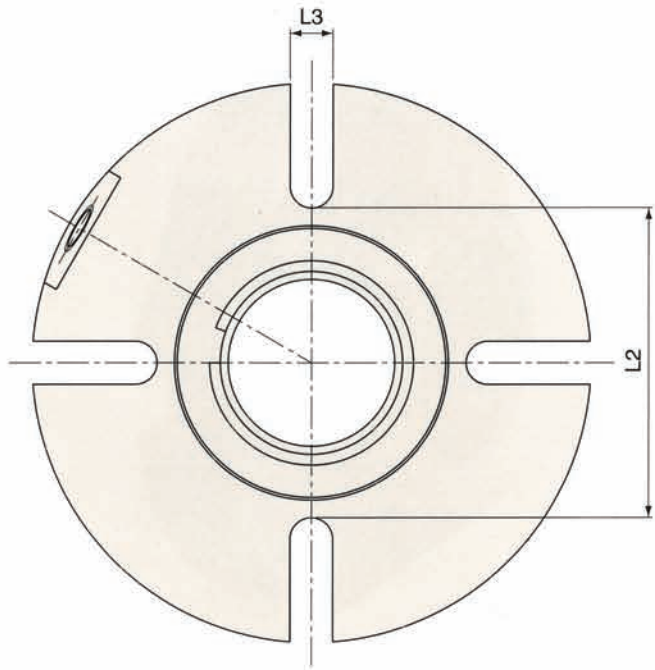
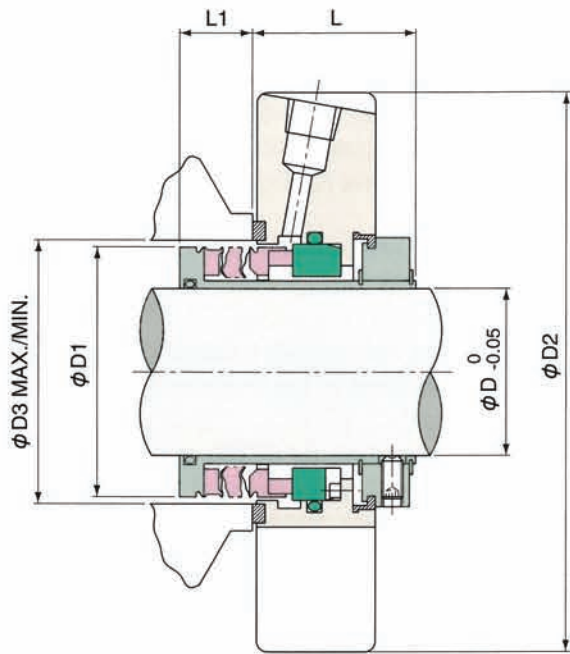
- No dynamic O-rings or other sliding parts to create seal face “hang-up”.
- Ability to handle abrasive media without separators or clean flushes.
- Self cleaning, non-clogging construction.
- Pressure balanced for low power consumption and low seal face wear.

Alloy 625 material construction allows the 210 to be used in a very wide range of media in the chemical, mineral processing, waste water, food, beverage, and power generation industries; indeed anywhere there is a need for a standardised, economical seal offering dependable performance. A variety of sleeve / seat o-rings and hard seal face options provide wide application coverage and the opportunity for plant standardisation.

The 210 is exceptionally easy to install. There are no awkward setting clips to remove, simply bolt the seal plate to the seal chamber, lock down the sleeve set screws and the seal is ready to run.



# 210 SERIES



## METRIC SIZES

SIZE	D	D1	D2	D3 MIN	D3 MAX	L	L1	L2	L3
028	28	42.9	111.1	44.5	55.6	42.9	17.4	61.9	14.3
033	33	49.2	106.0	50.8	55.6	39.7	17.4	61.9	14.3
035	35	49.2	106.0	50.8	55.6	39.7	17.4	61.9	14.3
038	38	55.6	130.2	57.2	65.1	42.9	19.0	71.5	14.3
040	40	58.7	133.4	60.3	66.6	42.8	19.1	73.0	14.3
043	43	61.9	133.4	63.5	74.6	42.9	19.1	81.0	14.3
045	45	61.9	133.4	63.5	74.6	42.9	19.1	81.0	14.3
048	48	65.1	136.5	66.7	77.8	42.9	19.1	84.2	14.3
050	50	68.3	139.7	69.9	77.8	44.5	19.0	84.2	17.4
053	53	71.4	138.0	73.0	84.1	42.9	22.2	90.5	17.4
055	55	71.4	138.0	73.0	84.1	42.9	22.2	90.5	17.4
060	60	81.0	158.8	82.6	92.1	41.3	25.4	98.4	17.4
065	65	87.3	177.8	88.9	104.8	41.2	30.2	111.1	17.4
070	70	92.1	190.0	93.7	109.5	41.2	27.0	115.9	17.5
075	75	98.4	196.9	100.0	117.5	42.1	28.5	123.8	20.6
080	80	104.8	190.0	106.4	120.6	42.1	28.5	127.0	20.6
085	85	108.0	203.2	109.5	120.6	42.1	31.7	127.0	19.1
100	100	128.6	228.6	130.2	149.2	42.1	34.9	155.6	22.2

## IMPERIAL SIZES

SIZE	D	D1	D2	D3 MIN	D3 MAX	L	L1	L2	L3
X18	1.125	42.9	111.1	44.5	55.5	42.9	17.4	61.9	14.3
X20	1.250	49.2	111.1	50.8	55.5	39.7	17.4	61.9	14.3
X22	1.375	49.2	111.1	50.8	55.5	39.7	17.4	61.9	14.3
X24	1.500	55.6	130.2	57.2	65.1	42.9	19.1	71.5	14.3
X28	1.750	61.9	133.4	63.5	74.6	42.9	19.1	81.0	14.3
X30	1.875	65.1	136.5	66.7	77.8	42.9	19.1	84.2	14.3
X32	2.000	68.3	139.7	69.9	77.8	44.5	19.1	84.2	17.4
X34	2.125	71.4	138.0	73.0	84.1	42.9	22.2	90.5	17.4
X40	2.500	84.1	158.8	85.7	103.2	42.9	25.4	109.6	20.6
X42	2.625	87.3	165.1	88.9	106.3	41.3	30.1	112.7	14.3
X44	2.750	92.1	177.8	93.7	109.5	41.3	27.0	115.9	19.1
X48	3.000	98.4	196.9	100.0	117.5	42.1	28.6	123.8	20.6
X52	3.250	104.8	190.0	106.4	120.7	42.1	28.6	127.0	20.6
X54	3.375	108.0	203.2	109.5	120.7	42.1	31.8	127.0	19.1
X56	3.500	111.1	215.9	112.7	138.1	42.1	31.8	144.5	20.6
X64	4.000	128.6	228.6	130.2	149.2	42.1	34.9	155.6	22.2

